

**BACKREST SIDEARM AND UPRIGHT
 INSTALLATION INSTRUCTIONS**
STR-5KS41-10-00 (SIDEARM)
STR-5BN41-30-01 (UPRIGHT)
V-STAR "CLASSIC"



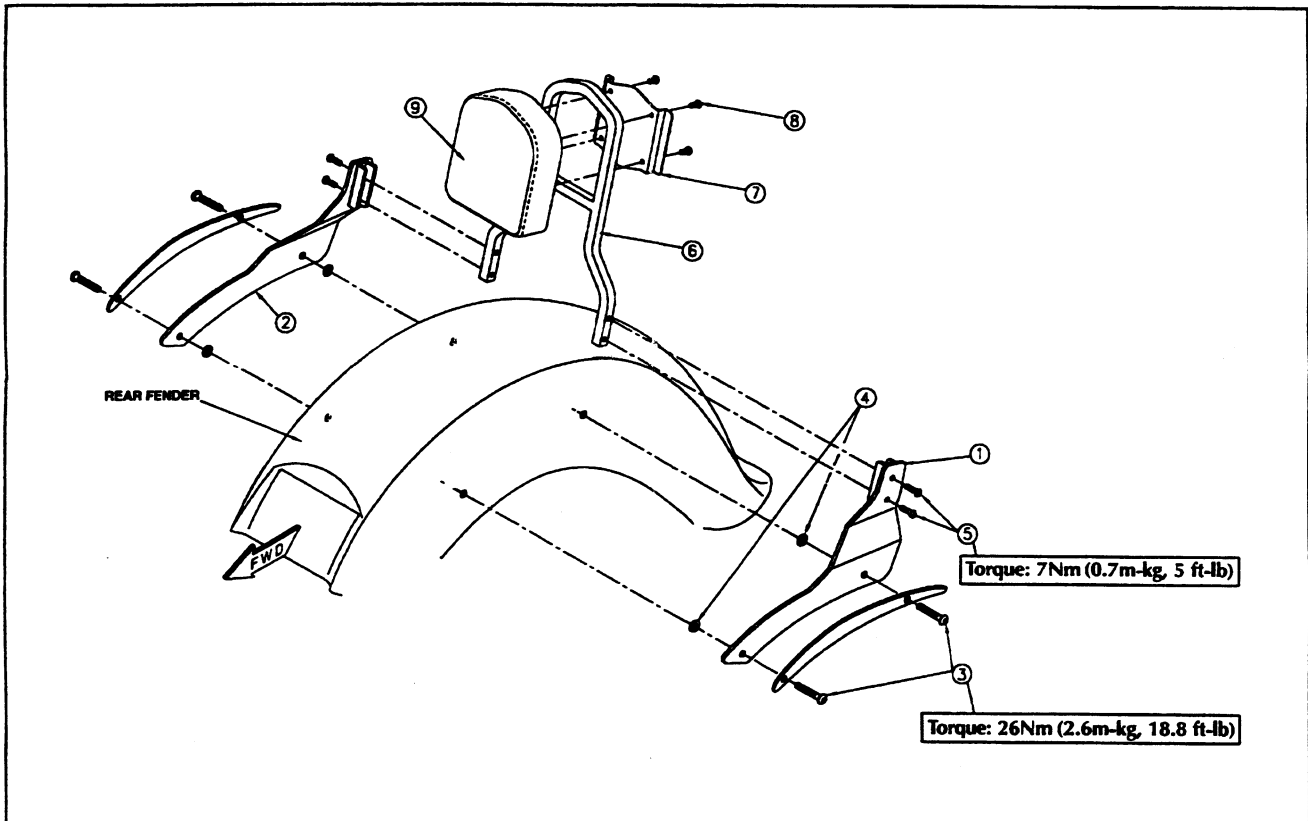
INTRODUCTION

Please read and understand these instructions completely before installation to avoid any possible injury to yourself or damage to your motorcycle and/or accessory.

DEALER: These instructions contain important information for future reference and must be given to the customer.

PARTS LIST			
Item	Part Name	Description	Qty
①	Backrest Sidearm, 1		1
②	Backrest Sidearm, 2		1
③	Screw, Button Head	M8 x 1.25P x 40mm long	4
④	Spacer		4
⑤	Screw, Button Head	M6 x 1.0P x 20mm long	4
⑥*	Backrest Upright		1
⑦*	Accent Plate		1
⑧*	Screw, Button Head	M6 x 1.0P x 15mm long	4
⑨	Backrest Pad	Purchased Separately	1

*Included in Upright Kit: STR-5BN41-30-01



INSTALLATION

1. Place motorcycle on level ground and securely on the side stand.
2. Starting on the left side, remove the Screws holding the Stay to the Rear Fender. Store the Stay and the Bolts in case the Backrest will be removed at a later time.
3. Put Spacers ④ behind the left Side Arm ① as shown, then loosely install the Side Arm with Stay onto the Rear Fender with the supplied Screws ③. Leave the Screws loose to allow some Side Arm Movement for ease of Upright installation.
4. Repeat steps 1 through 3 on the right side.
5. Install the Upright ⑥ into the slots on the Side Arms ① & ②. Line up the holes in the Upright then install the Screws ⑤. First tighten the Screws ④ holding the Side Arms to the fender to the specification shown, then tighten the Upright Mounting Screws ⑤ to specification.
6. Using the Accent Plate ⑦ and Button Head Screws ⑧, install the Backrest Pad ⑨.

MAINTENANCE

Periodically check mounting hardware for looseness and re-torque as required.

CARE AND CLEANING

Refer to your **Owner's Manual**.

CUSTOMER SERVICE

For more information regarding installation please contact your Yamaha dealer.